

Split Core mV CTs
Safe & quick for retrofitting

**Split Core 0.333mV
Current Transformers**

The ND SCT & SCL series of retro-fit split core 0.333mV Current Transformers are designed for fast and easy installation with no need to disconnect any loads. They are equally suitable for current or power measurement - ideal for energy management or any form of automation and control systems. An internal precision resistor across the secondary winding of the CT provides a safe, low voltage output - no more worries about open-circuiting CT secondary circuits.

**Rogowski Rope
Current Transformers**

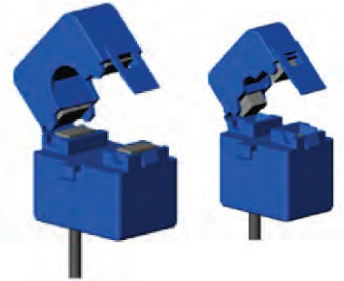
The ND Rogowski Rope CTs are the ideal where a larger aperture is required. The set of 3 CTs are supplied with a 3-5.5dc power supply powered by either 110Vac or 230Vac. With a safe low 0.333V voltage output, there are no worries about open circuiting CT secondary circuits.

Model Options

- SCT 10: 30Amp
- SCT 19: 50A, 150Amp
- SCT 32: 400 Amp
- SCT 51: 800 Amp



- SCL 16 - 50 & 100Amp
- SCL 8 - 5 Amp



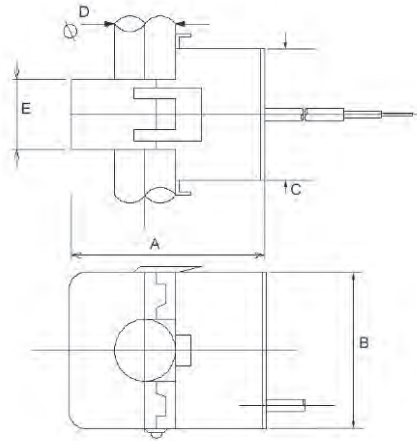
- Rope 461mm & 610mm:
- 1000Amp, 1500Amp,
- 2000Amp, 3000Amp
- 3500Amp,



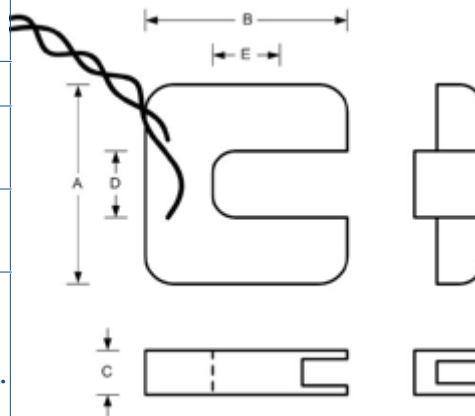
Size ref.	Input Current In	Input Current I _{max}	Dimensions (+/- 0.5mm)				
			A	B	C	D	E
SCL8	5A	6 A	43	37	32	8	13
SCT10	30A	36A	25	42	15	10	10
SCL16	50A	60A	51	45	37	16	18
SCT19	50A	60A	51	53	17	19	19
SCL16	100A	120A	51	45	37	16	18
SCT19	150A	150A	51	53	17	19	19
SCT32	400A	480A	82.5	85	27	32	32
SCT51	800A	960A	121	127	32	51	51

Output at I _n	0.333mV
Frequency Range	50-60Hz
Accuracy (0.2I _n -1.2I _n)	+/- 1%
Phase Error	< 2° @ 0.5I _n
Temperature Coefficient	60ppm/0°C
Enclosure	Plastic to UL94V-0
Insulation Voltage	SCL: 300 Vrms Cat III SCT: 600V rms
Indoor use only	Altitude < 2000m
Operating Temperature	SCL: -25°C to +90 °C SCT: -15° to +60°C
Humidity	Max 80% RH @ 30°C non-condensing
Output Connection	SCL: 1m Captive Cable SCT: 2m Captive twisted pair cable 0.34mmsq. UL 1015

SCL Range



SCT Range



Rogowski Rope Range

Rope461mm	1000A	1000 Amp
Rope461mm	1500A	1500 Amp
Rope461mm	2000A	2000 Amp
Rope461mm	3000A	3000 Amp
Rope461mm	3500A	3500 Amp
Rope610mm	1000A	1000 Amp
Rope610mm	1500A	1500 Amp
Rope610mm	2000A	2000 Amp
Rope610mm	3000A	3000 Amp
Rope610mm	3500A	3500 Amp

Output at I _n	0.333mV
Frequency Range	50-60 Hz
Accuracy (0.1I _n -1.2I _n)	+/- 1%
Environment	Indoor use only altitude <2000m
Operating Temperature	-20°C to +70°C
Output Connection	2m Captive Cable

